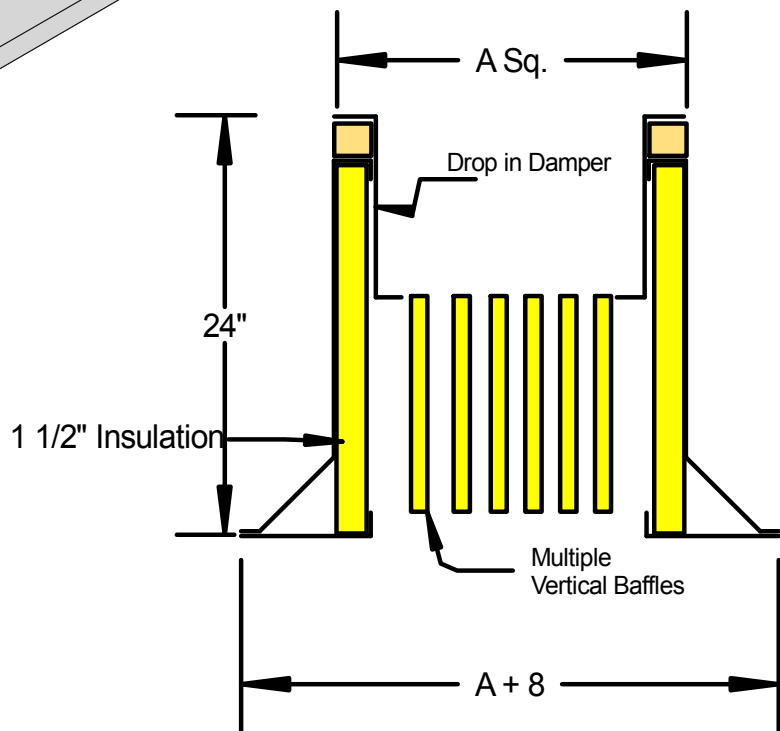
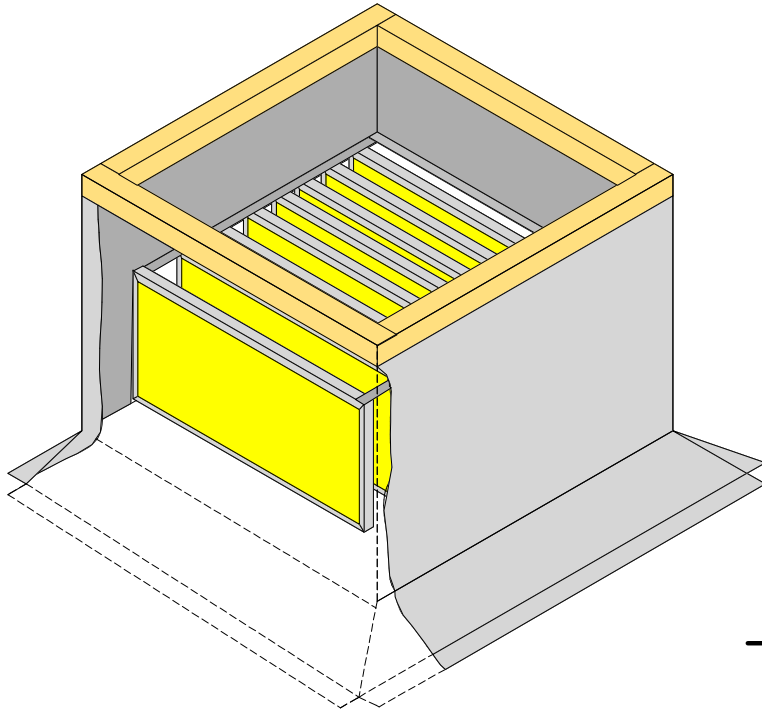




Submittal Data

Sound Attenuating Curbs



Curbs

**Made from G90 Galvanized Steel
Conforming to ASTM A525/527
24" overall Height.
Fullywelded Construction.
18ga Galv. Metal.
2x2 Wood Nailer.
Drop in Damper Tray.
Multiple Verical Baffle.
1 1/2" Insulation.**

Especial T HVAC Sheet Metal Fittings Inc.
15925 Loukelton St. City of Industry Ca, 91744