

Spiral Pipe

Size	26GA	24GA	22GA
5"	\$15.55	\$20.34	\$25.13
6"	\$16.98	\$23.93	\$29.92
7"	\$21.54	\$28.72	\$34.71
8"	\$22.30	\$32.31	\$39.49
9"	\$27.20	\$35.90	\$44.28
10"	\$28.67	\$40.68	\$50.26
12"	\$33.97	\$49.06	\$58.64
14"	\$39.28	\$56.25	\$70.60
16"	\$45.65	\$64.62	\$78.98
18"	\$50.96	\$73.00	\$89.75
20"	\$62.22	\$81.38	\$99.32
22"	\$69.41	\$89.75	\$110.10
24"	\$75.39	\$96.93	\$119.67
26"		\$105.31	\$129.24
28"		\$113.68	\$138.81



Standard:

- Female & Male Ends.
- Prime Material.
- 10 ft. Lengths

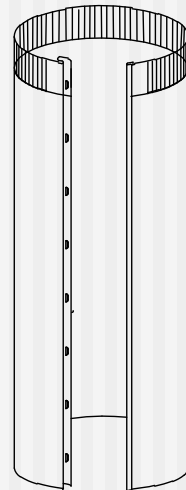
**Also Available in PVC
Call for a quote.**



Especial "T" HVAC Sheet Metal Fittings Inc.
 Tel. 626.961.8710 Fax.626.961.8740

KD pipe 3' Lg.

Size	30GA	28GA	26GA	24GA
3"	\$2.70	*	\$2.93	*
4"	\$2.70	*	\$2.93	*
5"	\$2.94	*	\$3.66	\$5.13
6"	\$3.46	*	\$4.18	\$5.50
7"	\$3.92	*	\$4.72	\$6.22
8"	\$4.18	*	\$5.30	\$6.89
9"	\$4.93	*	\$6.14	\$7.69
10"	\$5.33	*	\$6.23	\$9.06
12"	*	\$7.14	\$7.42	\$10.62
14"	*	\$8.06	\$9.92	\$12.93
16"	*	\$9.80	\$10.97	\$14.18
18"	*	*	\$13.22	\$16.82
20"	*	*	\$15.34	\$18.82
22"	*	*	*	\$26.62
24"	*	*	*	\$35.90
26"	*	*	*	\$42.59



Standard:

- Female & Male Ends.
- Prime Material.
- Snap Lock Seam.

Also Available in PVC
Call for a quote.

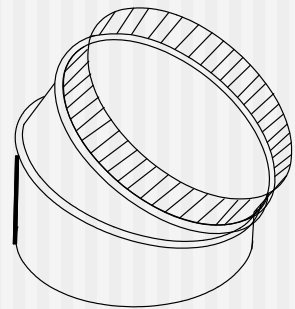


Especial "T" HVAC Sheet Metal Fittings Inc.

Tel. 626.961.8710 Fax.626.961.8740

Adj. 45° Elbow S/R

Dia.	30GA	28GA	26GA	24GA	22GA
5"	\$1.04	\$1.25	\$1.13	*	*
6"	\$1.11	\$1.33	\$1.20	\$3.16	*
7"	\$1.51	\$1.81	\$1.83	\$3.25	*
8"	\$1.63	\$1.96	\$2.00	\$2.40	\$3.42
9"	\$1.99	\$2.39	\$2.40	\$2.72	\$3.54
10"	\$2.24	\$2.69	\$2.53	\$2.88	\$3.75
12"	*	\$2.88	\$3.17	\$4.65	\$5.43
14"	*	\$3.44	\$4.26	\$5.33	\$6.94
16"	*	\$4.89	\$7.05	\$8.01	\$11.20
18"	*	*	\$8.01	\$9.21	\$12.58
20"	*	*	\$9.21	\$12.74	\$19.25
22"	*	*	\$14.18	\$17.63	\$25.70
24"	*	*	*	\$18.82	\$31.24
26"	*	*	*	36.05	69.125
28"	*	*	*	46.473	73.703



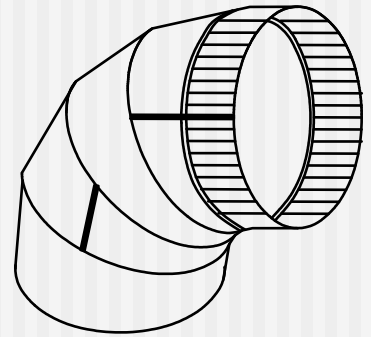
Standard:

- Female & Male Ends.
- Prime Material.
- Two Adjustable Gores.
- Union Label Product.

**Also Available in PVC
Call for a quote.**

Adj. 90° Elbow S/R

Dia.	30GA	28GA	26GA	24GA	22GA
3"	\$0.88	\$1.05	\$1.44	*	*
4"	\$1.00	\$1.20	\$1.64	*	*
5"	\$1.30	\$1.55	\$2.24	*	*
6"	\$1.37	\$1.64	\$2.30	\$3.16	*
7"	\$1.54	\$1.85	\$2.58	\$3.25	*
8"	\$1.76	\$2.12	\$2.84	\$3.47	*
9"	\$2.26	\$2.71	\$3.51	\$3.98	*
10"	\$2.45	\$2.94	\$3.84	\$4.70	\$11.84
12"	*	\$4.28	\$5.54	\$6.78	\$14.24
14"	*	\$5.15	\$7.07	\$8.26	\$16.61
16"	*	\$6.82	\$9.49	\$11.07	\$18.98
18"	*	*	\$10.53	\$14.20	\$23.52
20"	*	*	\$12.43	\$17.72	\$28.63
22"	*	*	\$21.38	\$24.35	\$40.36
24"	*	*	*	\$34.97	\$56.00



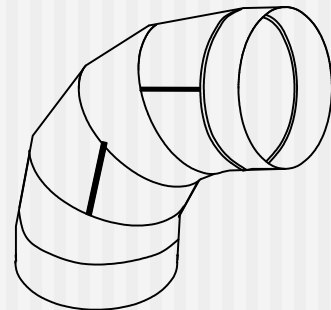
Standard:

- Female & Male Ends.
- Prime Material.
- Four Adjustable Gores.
- Union Label Product.

**Also Available in PVC
Call for a quote.**

Adj. Long Radius Elbows

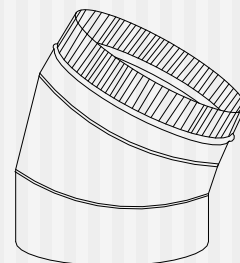
Dia.	26GA	24GA
3"	\$3.45	\$4.33
4"	\$3.55	\$4.38
5"	\$4.24	\$4.98
6"	\$5.21	\$6.13
7"	\$6.34	\$7.49
8"	\$7.77	\$9.20
9"	\$10.07	\$11.91
10"	\$11.91	\$14.11
12"	\$15.08	\$17.95
14"	\$20.33	\$24.21
16"	\$24.33	\$29.06



Standard:

- Female & Male Ends.
- Prime Material.
- Five Adjustable Gores.
- Union Label Product.

Dia.	26GA	24GA
3"	\$2.50	\$3.10
4"	\$2.61	\$3.20
5"	\$3.18	\$3.74
6"	\$3.63	\$4.90
7"	\$4.26	\$5.01
8"	\$5.04	\$5.95
9"	\$6.57	\$7.74
10"	\$7.76	\$9.17
12"	\$9.30	\$11.02
14"	\$12.11	\$14.35
16"	\$13.86	\$16.48



Standard:

- Female & Male Ends.
- Prime Material.
- Three Adjustable Gores.
- Union Label Product.

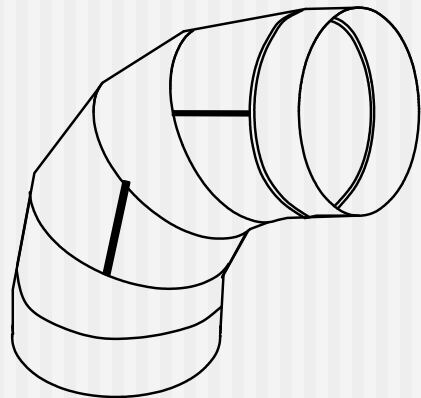
**Also Available in PVC
 Call for a quote.**



Especial "T" HVAC Sheet Metal Fittings Inc.
 Tel. 626.961.8710 Fax.626.961.8740

S-W 90° Elbow L/R

Dia.	26GA	24GA	22GA
3"	\$11.10	\$11.47	\$14.22
4"	\$12.04	\$11.84	\$14.68
5"	\$11.29	\$11.91	\$14.77
6"	\$12.20	\$13.81	\$17.13
7"	\$13.48	\$14.69	\$18.21
8"	\$13.40	\$15.78	\$19.57
9"	\$14.85	\$16.81	\$20.84
10"	\$17.51	\$20.97	\$26.00
12"	\$20.55	\$24.10	\$29.89
14"	\$25.58	\$30.34	\$37.63
16"	\$30.93	\$37.09	\$45.99
18"	\$36.85	\$44.71	\$55.45
20"	\$42.87	\$52.50	\$65.09
22"	\$54.90	\$66.49	\$82.44
24"	\$59.78	\$74.07	\$91.84
26"		\$89.13	97.45
28"		\$104.11	113.59
30"			129.64



Standard:

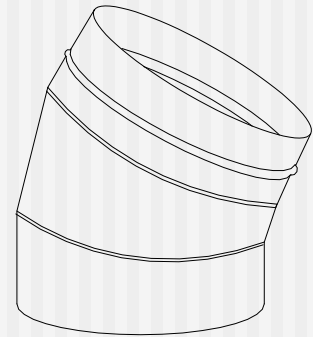
- Female & Male Ends.
- Prime Material.
- Five Spot-Welded Gores.
- Union Label Product.



Especial "T" HVAC Sheet Metal Fittings Inc.
 Tel. 626.961.8710 Fax.626.961.8740

S-W 45° Elbow L/R

Dia.	26GA	24GA	22GA
3"	\$8.88	\$9.00	\$11.07
4"	\$9.06	\$9.26	\$11.39
5"	\$9.29	\$9.60	\$11.81
6"	\$11.77	\$12.24	\$15.06
7"	\$11.96	\$12.52	\$15.39
8"	\$12.28	\$12.98	\$15.97
9"	\$13.92	\$14.80	\$18.20
10"	\$14.17	\$15.17	\$18.66
12"	\$15.73	\$17.06	\$20.99
14"	\$16.61	\$18.36	\$22.58
16"	\$22.24	\$24.62	\$30.29
18"	\$23.12	\$25.92	\$31.88
20"	\$28.98	\$32.52	\$40.00
22"	\$30.69	\$35.04	\$43.10
24"	\$41.63	\$47.09	\$57.92
26"		\$52.80	55.15
28"		\$57.24	65.13
30"			75.30



Standard:

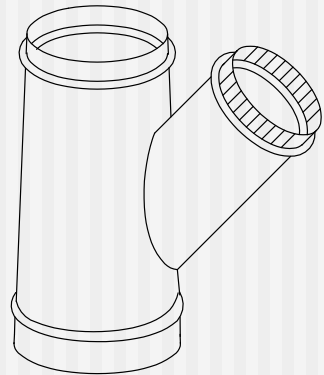
- Female & Male Ends.
- Prime Material.
- Three Spot-Welded Gores.
- Union Label Product.



Especial "T" HVAC Sheet Metal Fittings Inc.
 Tel. 626.961.8710 Fax.626.961.8740

T-Wyes

Dim	30GA	28GA	26GA	24GA	22GA
4"	\$2.49	\$3.42	\$3.61	\$5.23	
5"	\$2.54	\$3.42	\$3.06	\$5.50	
6"	\$2.60	\$3.43	\$3.73	\$5.38	
7"	\$2.84	\$3.76	\$4.22	\$5.87	
8"	\$3.42	\$4.64	\$4.79	\$6.54	\$10.51
9"	\$3.94	\$4.95	\$5.41	\$6.72	\$10.51
10"	\$4.55	\$5.32	\$6.29	\$7.03	\$10.51
12"		\$5.50	\$6.78	\$7.48	\$10.76
14"		\$5.62	\$7.03	\$8.07	\$11.00
16"		\$7.94	\$9.35	\$10.45	\$13.75
18"			\$11.61	\$13.81	\$15.89
20"			\$13.38	\$16.87	\$20.18
22"			\$17.72	\$19.86	\$24.14
24"			\$22.61	\$25.36	\$31.78
26"			0.00	\$40.94	\$51.33
28"				\$47.06	\$54.39
30"				55	\$59.28



Standard:

- Female, Male, Male Ends.
- Prime Material.
- Spot-Welded Construction.
- Union Label Product.

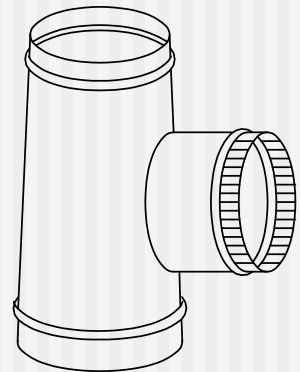
**Also Available in PVC
 Call for a quote.**



Especial "T" HVAC Sheet Metal Fittings Inc.
 Tel. 626.961.8710 Fax.626.961.8740

True Tee

Dim	30GA	28GA	26GA	24GA	22GA
5"	\$3.17	\$4.27	\$4.50		
6"	\$3.17	\$4.27	\$4.65	\$6.71	
7"	\$3.54	\$4.69	\$5.26	\$7.32	
8"	\$4.27	\$5.79	\$5.97	\$8.16	\$13.11
9"	\$4.91	\$6.17	\$6.75	\$8.38	\$13.11
10"	\$5.67	\$6.63	\$7.85	\$8.77	\$13.11
12"		\$6.86	\$8.46	\$9.33	\$13.42
14"		\$7.01	\$8.77	\$10.06	\$13.72
16"		\$9.91	\$11.66	\$13.03	\$17.15
18"			\$14.63	\$17.22	\$19.82
20"			\$16.69	\$21.04	\$24.97
22"			\$22.10	\$24.77	\$30.11
24"			\$28.20	\$31.63	\$39.64
26"				\$51.07	\$64.02
28"				\$58.69	\$67.79
30"				\$69.60	\$73.94
32"					\$78.87



Standard:

- Female, Male, Male Ends.
- Prime Material.
- Spot-Welded Construction.
- Union Label Product.

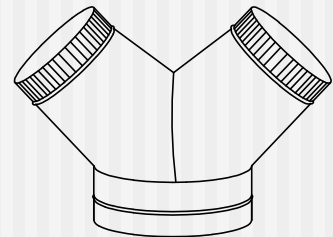
**Also Available in PVC
 Call for a quote.**



Especial "T" HVAC Sheet Metal Fittings Inc.
 Tel. 626.961.8710 Fax.626.961.8740

Pant wye

Dim	30GA	28GA	26GA	24GA	22GA
6"	\$7.47	\$8.09	\$8.73	\$9.43	\$10.37
7"	\$7.69	\$8.33	\$9.00	\$9.71	\$10.69
8"	\$7.94	\$8.58	\$9.31	\$10.05	\$11.06
9"	\$8.50	\$9.16	\$9.68	\$10.45	\$11.50
10"	\$9.19	\$9.90	\$10.29	\$11.11	\$12.23
12"		\$10.64	\$11.03	\$12.40	\$13.64
14"		\$12.01	\$12.30	\$14.16	\$15.63
16"		\$13.84	\$14.33	\$16.46	\$18.11
18"			\$17.15	\$20.19	\$22.21
20"			\$20.58	\$24.50	\$26.95



Standard:

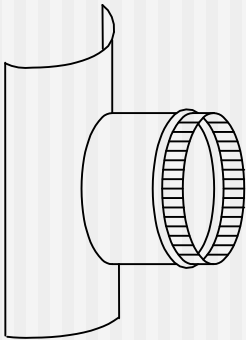
- Female, Male, Male Ends.
- Prime Material.
- Spot-Welded Construction.
- Union Label Product.

**Also Available in PVC
 Call for a quote.**

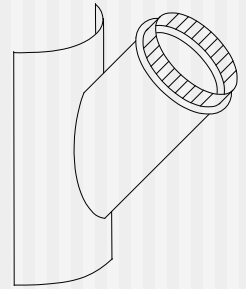


Especial "T" HVAC Sheet Metal Fittings Inc.
 Tel. 626.961.8710 Fax.626.961.8740

Saddle taps 45 & 90



Dim	28GA	26GA	24GA	22GA
4"	\$3.42	\$3.92	\$4.45	\$5.29
5"	\$4.06	\$4.48	\$4.93	\$5.90
6"	\$4.34	\$4.72	\$5.11	\$6.13
7"	\$4.97	\$5.18	\$5.49	\$6.61
8"	\$5.25	\$5.63	\$5.99	\$7.17
9"	\$5.90	\$6.29	\$6.64	\$7.95
10"	\$6.31	\$6.74	\$7.20	\$8.62
12"		\$7.25	\$7.86	\$9.44
14"		\$7.96	\$8.72	\$10.47
16"		\$8.60	\$9.48	\$11.40
18"		\$10.78	\$11.94	\$14.34
20"			\$15.36	\$18.45
22"			\$17.35	\$20.80
24"			\$19.52	\$23.38



Standard:

- Male End.
- Prime Material.
- Spot-Welded Construction.
- Union Label Product.

Standard:

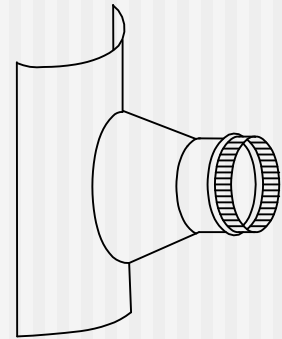
- Male End.
- Prime Material.
- Spot-Welded Construction.
- Union Label Product.

Also Available in PVC
Call for a quote.

Saddle taps

Conical Saddle Tap

Dim	28GA	26GA	24GA	22GA
4"	\$5.80	\$6.65	\$7.55	\$8.97
5"	\$6.89	\$7.60	\$8.36	\$10.01
6"	\$7.36	\$8.00	\$8.67	\$10.40
7"	\$8.44	\$8.79	\$9.31	\$11.21
8"	\$8.91	\$9.55	\$10.17	\$12.16
9"	\$10.01	\$10.67	\$11.26	\$13.49
10"	\$10.70	\$11.44	\$12.21	\$14.63
12"		\$12.30	\$13.33	\$16.01
14"		\$13.50	\$14.80	\$17.77
16"		\$14.59	\$16.08	\$19.33
18"		\$18.29	\$20.26	\$24.32
20"			\$26.05	\$31.30
22"			\$29.44	\$35.29
24"			\$33.11	\$39.66

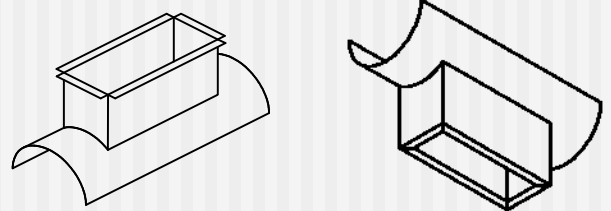


Standard:

- Male End.
- Prime Material.
- Spot-Welded Construction.
- Union Label Product.

Size	Price	Size	Price
10 x 4	\$9.97	16 x 8	\$10.92
10 x 6	\$10.14	16 x 10	\$11.09
12 x 4	\$10.14	18 x 6	\$10.92
12 x 6	\$10.33	18 x 8	\$11.09
12 x 8	\$10.53	18 x 10	\$11.26
14 x 6	\$10.53	20 x 6	\$11.09
14 x 8	\$10.70	20 x 8	\$11.26
14 x 10	\$10.92	24 x 8	\$11.62

Rectangular Saddle Taps



Standard:

- 1" Flange.
- 2" Skirt.
- 26Ga Prime Material.
- Spot-welded Construction.
- Union Label Product.

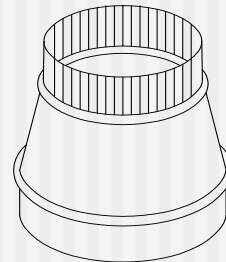
**Also Available in PVC
 Call for a quote.**

3 pc. Reducers

Dim.	30GA	28GA	26GA	24GA
4"	\$1.88	\$2.16	\$2.55	\$3.19
5"	\$1.97	\$2.26	\$2.75	\$3.43
6"	\$2.11	\$2.43	\$2.87	\$3.60
7"	\$2.23	\$2.56	\$2.90	\$3.62
8"	\$2.39	\$2.74	\$2.94	\$3.68
9"	\$2.55	\$2.93	\$3.99	\$4.99
10"	\$2.64	\$3.03	\$4.11	\$5.13
12"		\$3.47	\$4.31	\$5.39
14"		\$4.10	\$4.55	\$5.69
16"		\$5.99	\$6.52	\$8.15
18"			\$7.58	\$9.46
20"			\$10.42	\$13.03
22"			\$13.74	\$16.95

Dim	30GA	28GA	26GA	24GA
4"	\$2.23	\$2.64	\$2.68	\$3.15
5"	\$2.50	\$2.95	\$3.00	\$3.52
6"	\$2.63	\$3.10	\$3.15	\$3.70
7"	\$2.94	\$3.47	\$3.53	\$4.14
8"	\$3.01	\$3.55	\$3.61	\$4.24
9"	\$3.20	\$3.77	\$3.84	\$4.51
10"	\$3.36	\$3.96	\$4.03	\$4.74
12"		\$5.70	\$6.09	\$7.16
14"		\$6.52	\$6.97	\$8.19
16"		\$7.26	\$7.77	\$9.13
18"			\$9.21	\$10.82
20"			\$10.06	\$11.82
22"			\$11.02	\$12.95
24"			\$12.05	\$14.15

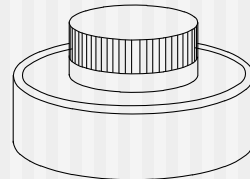
Sure-fit Reducer



Standard:

- Crimp – Raw Ends.
- Prime material.
- 7" tall.
- Spot-Welded Construction.
- Union Label Product.

Pancake Reducer



Standard:

- Crimp – Raw Ends.
- Prime Material.
- 4" tall.
- Spot-welded Construction.
- Union Label Product.

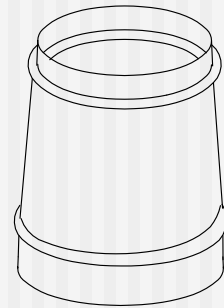
**Also Available in PVC
 Call for a quote.**



Especial "T" HVAC Sheet Metal Fittings Inc.
 Tel. 626.961.8710 Fax.626.961.8740

Short Taper 8" Tall

Dim.	30GA	28GA	26GA	24GA
4"	\$1.30	\$1.49	\$1.68	\$2.02
5"	\$1.37	\$1.57	\$1.75	\$2.10
6"	\$1.54	\$1.77	\$2.07	\$2.48
7"	\$1.86	\$2.13	\$2.49	\$2.98
8"	\$2.35	\$2.70	\$2.70	\$3.23
9"	\$2.72	\$2.80	\$3.26	\$3.91
10"		\$3.22	\$3.68	\$4.41
12"		\$3.54	\$4.06	\$4.87
14"		\$3.78	\$4.34	\$5.21
16"		\$4.55	\$5.18	\$6.13
18"			\$6.09	\$7.18
20"			\$6.90	\$8.68
22"			\$8.75	\$9.45
24"			\$9.45	\$10.50
26"				\$11.90
28"				\$13.65
30"				\$17.86



Standard:

- Crimp – Raw Ends.
- Prime Material.
- Spot-Welded Construction.
- Union Label Product.

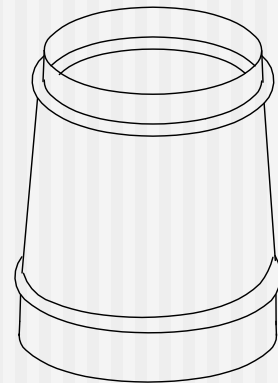
**Also Available in PVC
 Call for a quote.**



Especial "T" HVAC Sheet Metal Fittings Inc.
 Tel. 626.961.8710 Fax.626.961.8740

Short Taper 12" Tall

Dim.	30GA	28GA	26GA	24GA
4"	\$1.76	\$2.02	\$2.28	\$2.74
5"	\$1.85	\$2.13	\$2.38	\$2.85
6"	\$2.09	\$2.40	\$2.80	\$3.36
7"	\$2.52	\$2.90	\$3.37	\$4.05
8"	\$3.18	\$3.66	\$3.66	\$4.39
9"	\$3.69	\$3.80	\$4.42	\$5.30
10"		\$4.37	\$4.99	\$5.99
12"		\$4.80	\$5.51	\$6.61
14"		\$5.13	\$5.89	\$7.07
16"		\$6.18	\$7.03	\$8.31
18"			\$8.27	\$9.74
20"			\$9.36	\$11.78
22"			\$11.88	\$12.83
24"			\$12.83	\$14.25
26"				\$16.15
28"				\$18.53
30"				\$24.24



Standard:

- Crimp – Raw Ends.
- Prime Material.
- Spot-welded Construction.
- Union Label Product.

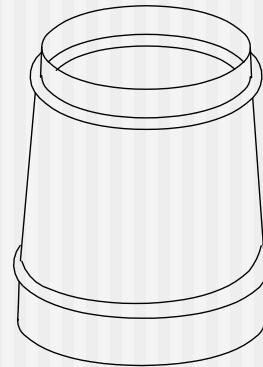
**Also Available in PVC
 Call for a quote.**



Especial "T" HVAC Sheet Metal Fittings Inc.
 Tel. 626.961.8710 Fax.626.961.8740

Short Taper 16" Tall

Dim.	30GA	28GA	26GA	24GA
4"	\$2.22	\$2.55	\$2.88	\$3.46
5"	\$2.34	\$2.69	\$3.00	\$3.60
6"	\$2.64	\$3.04	\$3.54	\$4.25
7"	\$3.18	\$3.66	\$4.26	\$5.11
8"	\$4.02	\$4.62	\$4.62	\$5.54
9"	\$4.66	\$4.80	\$5.58	\$6.70
10"		\$5.52	\$6.30	\$7.56
12"		\$6.06	\$6.96	\$8.35
14"		\$6.48	\$7.44	\$8.93
16"		\$7.80	\$8.88	\$10.50
18"			\$10.44	\$12.30
20"			\$11.82	\$14.88
22"			\$15.00	\$16.20
24"			\$16.20	\$18.00
26"				\$20.40
28"				\$23.40
30"				\$30.62



Standard:

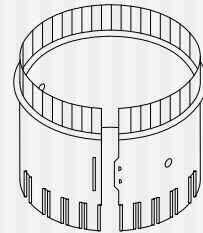
- Crimp – Raw Ends.
- Prime Material.
- Spot-welded Construction.
- Union Label Product.

**Also Available in PVC
 Call for a quote.**

Start Collars

Dia.	30GA	28GA	26GA	24GA	22GA
4"	\$0.38	\$0.42	\$0.54	\$3.54	
5"	\$0.46	\$0.51	\$0.67	\$3.57	
6"	\$0.55	\$0.61	\$0.79	\$3.61	
7"	\$0.63	\$0.70	\$0.91	\$3.64	
8"	\$0.72	\$0.80	\$1.04	\$3.72	
9"	\$0.82	\$0.91	\$1.18	\$4.32	\$8.16
10"	\$0.91	\$1.01	\$1.31	\$4.94	\$8.20
12"	\$1.18	\$1.27	\$1.54	\$5.45	\$8.26
14"	\$1.38	\$1.48	\$1.79	\$5.57	\$8.40
16"	\$1.56	\$1.68	\$2.04	\$6.48	\$8.42
18"	\$1.77	\$1.90	\$2.31	\$7.94	\$10.32
20"	\$1.94	\$2.09	\$2.53	\$9.70	\$11.14
22"	\$2.20	\$2.37	\$2.79	\$10.98	\$12.36
24"	\$2.68	\$2.88	\$3.04	\$12.12	\$13.49

Start Collar



Standard:

- 6" Tall Collar KD.
- Prime Material.
- Damper Holes.
- Crimp - Dovetail
- Union Label Product.

Duct-board Collar

Dia.	30GA	28GA	26GA
4"	0.39	0.43	\$0.48
5"	0.48	0.53	\$0.59
6"	0.57	0.63	\$0.70
7"	0.66	0.73	\$0.81
8"	0.75	0.83	\$0.92
9"	0.86	0.95	\$1.05
10"	0.95	1.05	\$1.16
12"	1.24	1.33	\$1.62
14"	1.43	1.54	\$1.88
16"	1.64	1.76	\$2.15
18"	1.85	1.99	\$2.43
20"	2.03	2.18	\$2.66



Standard:

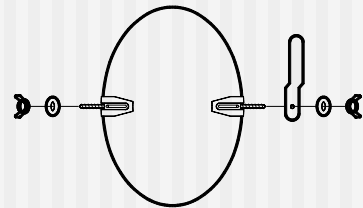
- 5" Tall Beaded Collar KD.
- Prime material.
- Damper Holes.
- Union Label Product.

**Also Available in PVC
 Call for a quote.**

Damper With Hdwe.

Dia.	30GA	28GA	26GA	24GA
4"	1.18	1.34	1.63	1.87
5"	1.23	1.40	1.70	1.95
6"	1.34	1.51	1.74	2.10
7"	1.46	1.62	1.87	2.26
8"	1.57	1.74	2.00	2.41
9"	1.68	1.85	2.13	2.58
10"	1.79	2.02	2.32	2.81
12"	*	2.65	2.97	3.77
14"	*	3.45	3.54	4.24
16"	*	3.83	4.42	5.31
18"	*	*	5.31	6.25
20"	*	*	5.89	7.25
22"	*	*	7.07	8.14
24"	*	*	8.55	9.83

Damper Disc



Standard:

- KSR-256 Duro Dyne Hdwe.
- Assembled.
- Prime Material.
- Union Label Product.

Dia.	30GA	28GA	26GA	24GA
4"	1.47	1.69	1.94	2.23
5"	1.55	1.79	2.05	2.36
6"	1.71	1.97	2.26	2.60
7"	1.95	2.25	2.58	2.97
8"	2.16	2.48	2.85	3.28
9"	2.41	2.77	3.19	3.67
10"	2.69	3.09	3.56	4.09
12"	0.00	3.74	4.30	4.94
14"	0.00	4.38	5.03	5.79
16"	0.00	5.02	5.78	6.64
18"	0.00	0.00	6.52	7.49
20"	0.00	0.00	7.26	8.34
22"	0.00	0.00	8.00	9.20
24"	0.00	0.00	8.74	10.05

Round End Cap



Standard:

- Assembled.
- 2" Female Collar.
- Prime Material.
- Union Label Product.

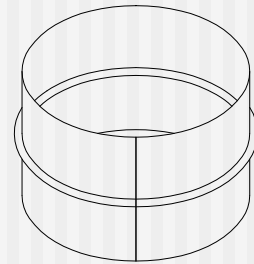
**Also Available in PVC
 Call for a quote.**

Round Connectors

Dia.	26GA	24GA	22GA
4"	\$1.64	\$2.13	\$2.77
5"	\$1.70	\$2.21	\$2.87
6"	\$2.12	\$2.76	\$3.58
7"	\$2.28	\$2.96	\$3.85
8"	\$2.73	\$3.55	\$4.61
9"	\$3.11	\$4.04	\$5.25
10"	\$3.50	\$4.55	\$5.92
12"	\$3.61	\$4.73	\$6.09
14"	\$3.71	\$4.83	\$6.28
16"	\$3.87	\$5.03	\$6.54
18"	\$3.94	\$5.12	\$6.66
20"	\$4.09	\$5.32	\$6.91
22"	\$4.17	\$5.42	\$7.04
24"	\$4.64	\$6.31	\$8.20
26"		\$7.86	\$10.21
28"			\$12.08

Dia.	30ga	26ga
4"	\$1.05	\$1.20
5"	\$1.14	\$1.32
6"	\$1.23	\$1.45
7"	\$1.47	\$1.72
8"	\$1.56	\$1.85
9"	\$1.66	\$1.99
10"	\$1.93	\$2.29
12"	\$2.03	\$2.52
14"	\$2.52	\$2.77
16"	\$2.83	\$3.11
18"	\$3.06	\$3.38
20"	\$3.31	\$3.66
22"	\$3.71	\$4.10
24"	\$4.06	\$4.48

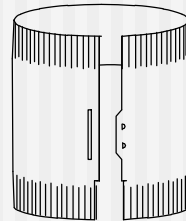
Spiral Coupling



Standard:

- 6" Tall Collar.
- Prime Material.
- Spot-welded Construction.
- Union Label Product.

Flex Connector



Standard:

- 6" Tall Collar KD.
- Prime Material.
- Spot-welded Construction.
- Union Label Product.

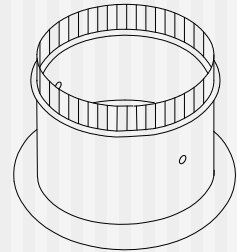
**Available also in PVC
 Call for a quote.**



Especial "T" HVAC Sheet Metal Fittings Inc.
 Tel. 626.961.8710 Fax.626.961.8740

Air-Tite Collars

Dia.	Collar Only		Collar W/ Damper		Add Scoop
	30GA	26GA	30GA	26GA	
4"	\$1.88	\$2.44	\$5.13	\$6.66	\$0.98
5"	\$2.03	\$2.63	\$5.33	\$6.93	\$1.05
6"	\$2.28	\$2.96	\$5.66	\$7.36	\$1.18
7"	\$2.47	\$3.21	\$5.96	\$7.75	\$1.28
8"	\$2.69	\$3.50	\$6.31	\$8.21	\$1.40
9"	\$2.91	\$3.78	\$6.66	\$8.66	\$1.51
10"	\$3.21	\$4.17	\$7.22	\$9.39	\$1.67
12"	\$3.78	\$4.91	\$8.19	\$10.64	\$1.96
14"	\$4.39	\$5.70	\$9.32	\$12.11	\$2.28
16"	\$5.03	\$6.53	\$10.48	\$13.62	\$2.61
18"	\$6.76	\$8.78	\$12.76	\$16.58	\$3.51
20"	\$7.43	\$9.65	\$13.95	\$18.13	\$3.86



Standard:

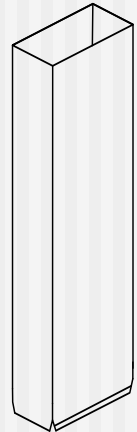
- 6" Tall Crimped Collar.
- 1 1/2" Ring with Gasket.
- Dampers Holes.
- Prime Material.
- Spot-welded Construction.
- Union Label Product.

**Available also in PVC
 Call for a quote.**

Riser Pipe and fittings

Size	3' Lengths 30GA	5' Lengths 28GA	7.5' Lengths 28GA	10' Lengths 28GA	End Cap 28GA
3.25 X 08	\$4.09	\$6.13	\$7.35	\$14.71	\$0.95
3.25 X 10	\$4.38	\$6.56	\$7.88	\$15.75	\$0.98
3.25 X 12	\$4.64	\$6.82	\$8.19	\$16.18	\$1.06
3.25 X 14	\$5.01	\$7.30	\$8.75	\$17.63	\$1.15

Size	3' Lengths 26GA	5' Lengths 26GA	7.5' Lengths 26GA	10' Lengths 26GA	End Cap 26GA
3.25 X 08	\$5.63	\$7.35	\$13.24	\$17.64	\$1.16
3.25 X 10	\$5.83	\$7.88	\$14.18	\$18.91	\$1.21
3.25 X 12	\$6.07	\$8.18	\$14.71	\$19.42	\$1.31
3.25 X 14	\$6.46	\$8.76	\$15.73	\$21.16	\$1.42



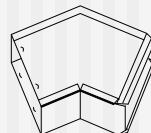
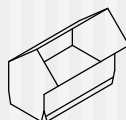
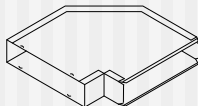
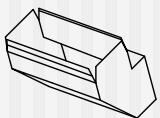
Standard:

- Shipped KD.
- Prime Material.
- Snap-Lock Seam.
- Union Label Product.

Dim	Std 90°	Flat 90°	Std 45°	Flat 45°
3.25 X 08	\$1.47	\$2.22	\$1.46	\$2.01
3.25 X 10	\$1.73	\$2.34	\$1.64	\$2.17
3.25 X 12	\$2.07	\$2.58	\$1.79	\$2.34
3.25 X 14	\$2.23	\$3.04	\$2.07	\$2.58

Standard:

- Shipped assembled.
- 28Ga Prime Material.
- Spot-welded construction.
- Union Label Product.



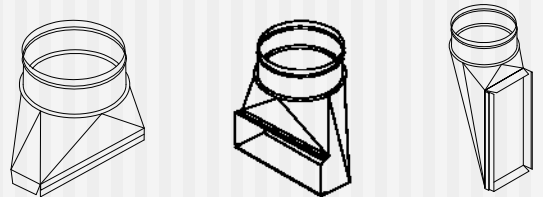
**Also Available in PVC
 Call for a quote.**



Especial "T" HVAC Sheet Metal Fittings Inc.
 Tel. 626.961.8710 Fax.626.961.8740

Register Boots

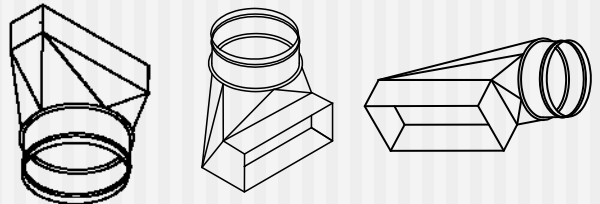
Size	Straight	Stackhead	Cone
3.25x08xClr	\$1.70	\$2.73	\$3.12
3.25x10xClr	\$1.74	\$2.79	\$3.46
3.25x12xClr	\$1.93	\$2.93	\$3.79
3.25x14xClr	\$3.27	\$3.49	\$5.16



Standard:

- 3" Long Beaded Collar.
- Prime Material.
- Spot-Welded Construction.
- Union Label Product.

Size	PH1	PH2	PH3
08x4,6xClr	\$2.48	\$3.42	\$3.44
10x4,6xClr	\$2.70	\$3.66	\$3.93
12x4,6xClr	\$3.11	\$4.08	\$4.20
14x4,6xClr	\$3.34	\$4.39	\$4.40
14x8xClr	\$3.84	\$5.07	\$4.99



Standard:

- 3" Long Beaded Collar.
- 4" Extension.
- Prime Material.
- Spot-Welded Construction.
- Union Label Product.

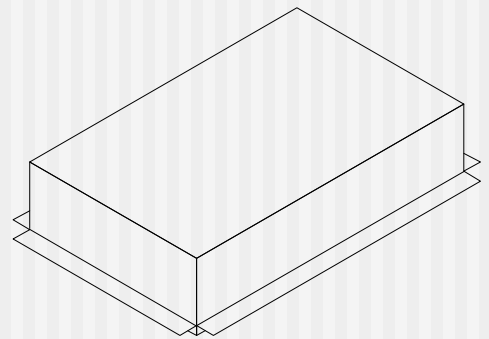
**Also Available in PVC
 Call for a quote.**



Especial "T" HVAC Sheet Metal Fittings Inc.
 Tel. 626.961.8710 Fax.626.961.8740

Return Air Cans

Size		Size	4" deep	6" Deep
20.25	X	12.25	\$4.84	\$5.47
20.25	X	14.25	\$5.04	\$5.69
20.25	X	16.25	\$5.24	\$5.92
20.25	X	18.25	\$5.45	\$6.15
20.25	X	20.25	\$5.66	\$6.40
22.25	X	22.25	\$6.71	\$7.58
24.25	X	12.25	\$6.11	\$6.90
24.25	X	14.25	\$6.35	\$7.18
24.25	X	16.25	\$6.61	\$7.46
24.25	X	18.25	\$6.87	\$7.76
24.25	X	20.25	\$7.14	\$8.07
24.25	X	24.25	\$7.72	\$8.72
25.25	X	14.25	\$6.55	\$7.40
25.25	X	16.25	\$6.82	\$7.70
25.25	X	20.25	\$7.37	\$8.33
30.25	X	14.25	\$8.22	\$9.28
30.25	X	16.25	\$8.53	\$9.64
30.25	X	20.25	\$9.24	\$10.44



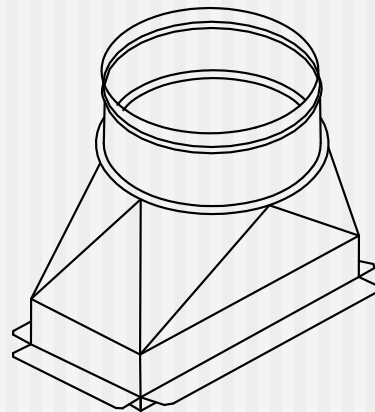
Standard:

- Plaster Ground.
- Prime Material.
- Spot-Welded Construction.
- Union Label Product.

**Available also in PVC
 Call for a quote.**

Floor Box W/PG

Size	30GA	26Ga
8x4x4	\$2.03	2.64
8x4x5	\$2.03	2.64
8x4x6	\$2.03	2.64
10x4x5	\$2.33	3.03
10x4x6	\$2.33	3.03
10x6x6	\$2.50	3.25
10x6x7	\$2.50	3.25
12x4x6	\$2.70	3.51
12x4x7	\$2.70	3.51
12x6x6	\$2.97	3.86
12x6x7	\$2.97	3.86
12x6x8	\$2.97	3.86
14x4x7	\$3.05	3.97
14x4x8	\$3.05	3.97
14x6x6	\$3.15	4.10
14x6x7	\$3.15	4.10
14x6x8	\$3.15	4.10
14x8x8	\$3.35	4.36
14x8x9	\$3.35	4.36
14x8x10	\$3.53	4.59



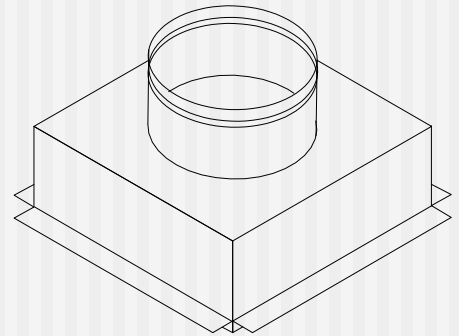
Standard:

- 3" deep.
- 3" Long beaded Collar.
- Prime Material.
- Spot-Welded Construction.
- Union Label Product.

**Available also in PVC
 Call for a quote.**

Ceiling Box

Size	With PG 30GA	With PG 26GA	NO PG 30GA	NO PG 26GA
6x6x4	\$1.94	\$2.33	\$1.47	\$1.92
6x6x5	\$1.94	\$2.33	\$1.47	\$1.92
6x6x6	\$1.94	\$2.33	\$1.47	\$1.92
8x8x6	\$2.39	\$2.87	\$1.81	\$2.37
8x8x7	\$2.39	\$2.87	\$1.81	\$2.37
8x8x8	\$2.39	\$2.87	\$1.81	\$2.37
10x10x7	\$2.90	\$3.55	\$2.20	\$2.90
10x10x8	\$2.90	\$3.55	\$2.20	\$2.90
10x10x9	\$2.90	\$3.55	\$2.20	\$2.90
10x10x10	\$2.90	\$3.55	\$2.20	\$2.90
12x12x8	\$3.49	\$4.29	\$2.66	\$3.52
12x12x9	\$3.49	\$4.29	\$2.66	\$3.52
12x12x10	\$3.49	\$4.29	\$2.66	\$3.52
12x12x12	\$3.49	\$4.29	\$2.66	\$3.52
14x14x10	\$4.12	\$5.09	\$3.15	\$4.19
14x14x12	\$4.12	\$5.09	\$3.15	\$4.19
14x14x14	\$4.12	\$5.09	\$3.15	\$4.19
16x16xclr	\$5.70	\$6.84	\$5.13	\$6.16
18x18xclr	\$6.27	\$7.52	\$5.64	\$6.77
20x20xclr	\$7.15	\$8.58	\$6.44	\$7.72



Standard:

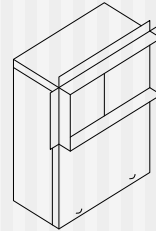
- 4" deep.
- 3" Long Beaded Collar.
- Prime Material.
- Spot-Welded Construction.
- Union Label Product.

**Also Available in PVC
 Call for a quote.**

Boxes

Size	30GA
8x4	\$2.43
8x6	\$2.57
10x4	\$2.65
10x6	\$2.93
10x8	\$3.08
12x4	\$2.99
12x6	\$3.16
12x8	\$3.50
14x4	\$3.38
14x6	\$3.57
14x8	\$3.75

Wall Register Box

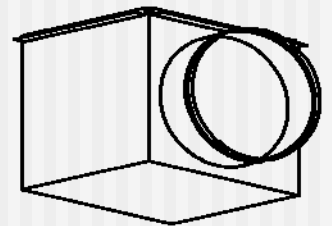


Standard:

- 10" Throat.
- Plaster Ground.
- Prime Material.
- Spot-Welded Construction.
- Union Label Product.

Size	30GA	26ga
6x6xClr	\$2.65	\$3.18
8x8xClr	\$3.49	\$4.19
10x10xClr	\$4.33	\$5.20
12x12xClr	\$5.37	\$6.44
14x14xClr	\$6.27	\$7.52

Side Out Box



Standard:

- 3" Long Beaded Collar.
- Plaster Ground.
- Prime Material.
- Spot-welded Construction.
- Union Label Product.

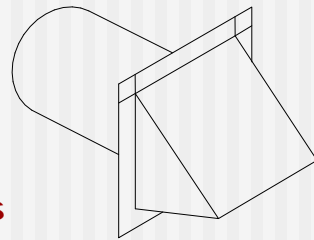
**Also Available in PVC
 Call for a quote.**



Especial "T" HVAC Sheet Metal Fittings Inc.
 Tel. 626.961.8710 Fax.626.961.8740

Vent Products

Size	PG	Stucco stop
3"	\$4.98	\$5.28
4"	\$5.18	\$5.63
5"	\$7.41	\$8.16
6"	\$8.76	\$9.12
7"	\$9.51	\$10.44
8"	\$10.68	\$12.01
10"	\$13.32	\$14.90
12"	\$16.52	\$18.47

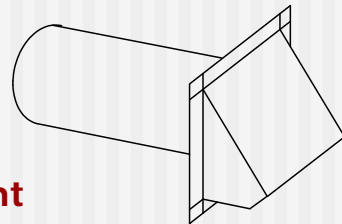


Wall Caps

Standard:

- 6" Throat.
- 28Ga Prime Material.
- Spot-Welded Construction.
- Union Label Product.

Size	PG	Stucco stop
3"	\$4.98	\$5.28
4"	\$4.68	\$5.62
5"	\$7.41	\$8.16
6"	\$8.76	\$9.12
7"	\$9.51	\$10.44
8"	\$10.68	\$12.01
10"	\$13.32	\$14.90
12"	\$16.52	\$18.47



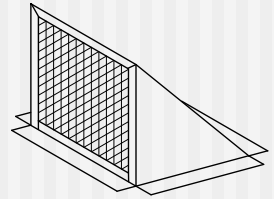
Dryer Vent

Standard:

- 9" Long Throat.
- 28Ga Prime Material.
- Spot-Welded Construction.
- Union Label Product.

Vent Products

Size	Screen	Screen & Damper	Screen & Stucco Stop
3"	\$3.14	\$4.80	\$3.23
4"	\$3.45	\$5.50	\$3.55
5"	\$3.79	\$5.67	\$3.90
6"	\$4.42	\$5.66	\$4.55
7"	\$5.23	\$5.88	\$5.39
8"	\$6.41	\$7.13	\$6.60
10"	\$7.50	\$8.13	\$7.73
12"	\$8.28	\$9.23	\$8.53

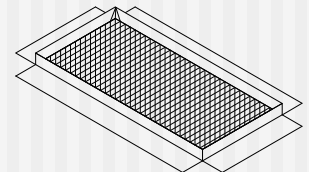


Eyebrows

Standard:

- ¼" Screen.
- 28Ga Prime Material.
- Spot-Welded Construction.
- Union Label Product.

Size	PG	Stucco stop
14 x 6	\$1.43	\$1.50
14 x 8	\$2.07	\$2.18



Base Vent

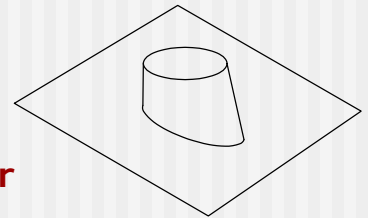
Standard:

- ¼" Screen.
- 28Ga Prime Material.
- Spot-Welded Construction.
- Union Label Product.



Especial "T" HVAC Sheet Metal Fittings Inc.
 Tel. 626.961.8710 Fax.626.961.8740

Roofing Product

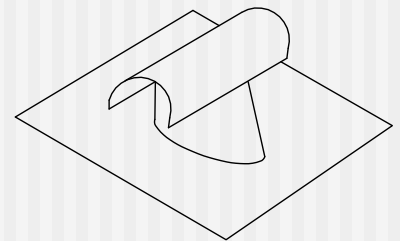


Conductor Flashings

Size	Standard	soldered	T-top
3"	\$5.30	\$6.89	\$6.05
4"	\$5.75	\$7.48	\$6.56
5"	\$6.13	\$7.97	\$6.99
6"	\$6.40	\$8.32	\$7.30
7"	\$6.60	\$8.58	\$7.52
8"	\$8.86	\$11.52	\$10.11
10"	\$9.34	\$12.14	\$10.64
12"	\$10.02	\$13.02	\$11.42
14"	\$14.00	\$18.20	\$15.96
16"	\$17.74	\$23.06	NA
18"	\$21.03	\$27.34	NA
20"	\$25.82	\$33.57	NA
22"	\$29.55	\$38.42	NA
24"	\$31.96	\$41.55	NA
26"	\$36.08	\$46.90	NA
28"	\$39.84	\$51.80	NA

Standard:

- 3 1/2" Long.
- 4" skirt All Around.
- 26Ga Prime Material.
- Sealed.
- Spot-Welded Construction.
- Flat to 4 on 12 Pitch.
- Union Label Product.



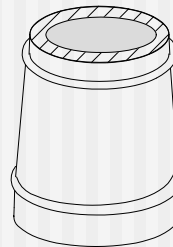
T- Tops

Standard:

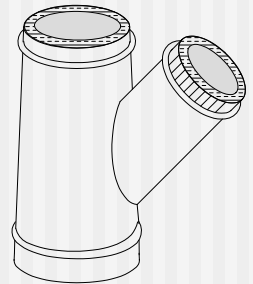
- 3 1/2" Long.
- 4" skirt All Around.
- 26Ga Prime Material.
- Sealed.
- Screen.
- Spot-Welded Construction.
- Flat to 4 on 12 Pitch.
- Union Label Product.

Insulated Fittings

Size	T-wyes		Tapers	
	26GA	24GA	26GA	24GA
8"	\$32.85	\$37.77	\$21.14	\$23.39
9"	\$35.42	\$40.73	\$22.40	\$24.81
10"	\$37.19	\$42.76	\$24.68	\$27.45
12"	\$41.31	\$44.55	\$26.98	\$29.65
14"	\$46.17	\$52.77	\$28.96	\$31.92
16"	\$50.27	\$57.54	\$32.51	\$35.87
18"	\$67.31	\$73.21	\$39.20	\$44.05
20"	\$78.96	\$90.91	\$52.92	\$60.31



Taper

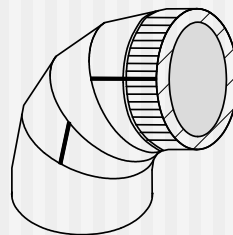


T-Wyes

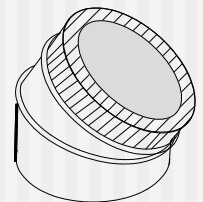
Standard:

- 1" Insulation.
- Prime Material.
- Spot-Welded Construction.
- Union Label Product.

Size	90 Deg.		45 Deg.	
	26GA	24GA	26GA	24GA
8"	\$9.94	\$11.02	\$8.60	\$9.12
9"	\$12.08	\$12.69	\$9.71	\$10.13
10"	\$13.52	\$14.72	\$10.41	\$10.86
12"	\$18.79	\$20.06	\$12.18	\$14.09
14"	\$23.51	\$24.94	\$14.72	\$16.11
16"	\$31.72	\$34.04	\$20.16	\$21.40
18"	\$43.26	\$48.12	\$25.71	\$27.26
20"	\$68.82	\$76.95	\$36.90	\$41.46



Elbow 90



Elbow 45

Standard:

- 1" Insulation.
- Prime Material.
- Spot-Welded Construction.
- Union Label Product.

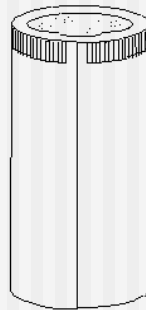
Insulated pipe

Size	Spiral Pipe	
OD	26GA	24GA
8"	\$71.53	\$80.62
9"	\$78.63	\$89.40
10"	\$85.09	\$96.07
12"	\$103.36	\$114.56
14"	\$113.99	\$129.20
16"	\$135.28	\$151.34
18"	\$174.96	\$192.50
20"	\$267.89	\$279.31



- Standard:**
- 10' Lengths.
 - Crimp x Raw.
 - Prime Material.

Size	KD Pipe	
OD	26GA	24GA
8"	\$17.80	\$19.60
9"	\$19.47	\$21.22
10"	\$20.23	\$23.44
12"	\$23.45	\$27.08
14"	\$27.56	\$30.97
16"	\$31.42	\$35.05
18"	\$39.95	\$44.04
20"	\$55.56	\$59.50



- Standard:**
- 3' Lengths.
 - Crimp x Raw.
 - Prime Material.

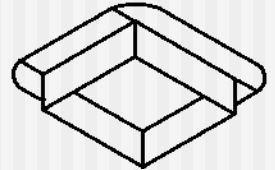


Especial "T" HVAC Sheet Metal Fittings Inc.
 Tel. 626.961.8710 Fax.626.961.8740

Specialties

Size	Flat	Fixed Pitch	Adjustable
13.5" SQ.	\$11.62	\$12.33	*
14.5" SQ.	\$11.95	\$12.79	*
15.5" SQ.	\$12.25	\$13.04	\$23.60
17.5" SQ.	\$13.06	\$13.79	\$24.67
18.5" SQ.	\$13.46	\$14.21	\$27.57
19.5" SQ.	\$13.75	\$14.53	\$30.26
20.5" SQ.	\$14.21	\$14.95	\$33.96

Cooler Flashings

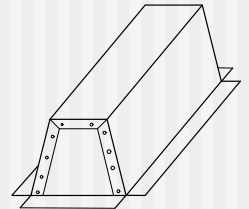


Standard:

- 6" Tall.
- 4" skirt All Around.
- 26Ga Prime Material.
- Sealed.
- Spot-Welded Construction.
- Union Label Product.

Size	3 1/2" Tall	6" Tall
30 x 6	\$4.80	\$6.70

Furnace Stand

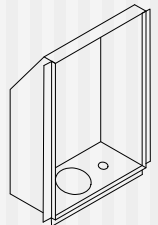


Standard:

- 1" Flange.
- 26Ga Prime Material.
- Spot-Welded Construction.
- Union Label Product.

Size	26GA
25 x 10	\$6.78
14 x 10	\$5.76

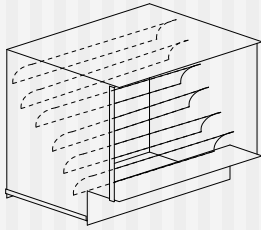
Dryer Box



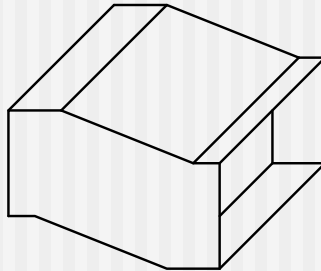
Standard:

- 4" & 1" Holes.
- 26Ga Prime Material.
- Spot-Welded Construction.
- Union Label Product.

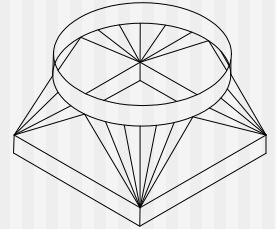
Rectangular Duct fittings



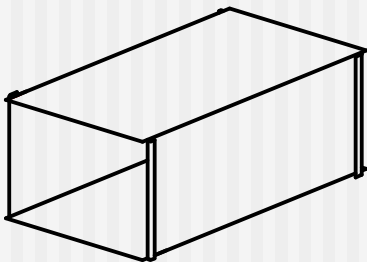
•**Rectangular Elbow**



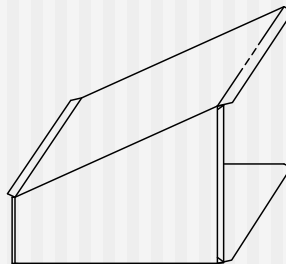
•**Rectangular Offset**



•**Sq. to Round Transition**



•**Rectangular Str. Duct**



•**Rectangular Transition**

- S&D Connections**
- Ward Connections**
- Government Lock**

**Coming soon
Connection TDF!!!!**

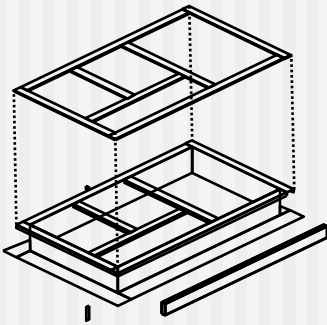


Especial "T" HVAC Sheet Metal Fittings Inc.
Tel. 626.961.8710 Fax.626.961.8740

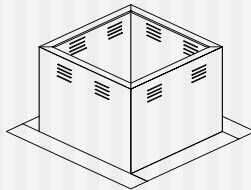
We build Roof Curb for....

- Carrier
- York
- Amana
- Ryan
- Goodman
- Ruud-Rheem
- Comfortmaker
- Armstrong

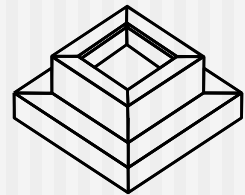
Roof curbs



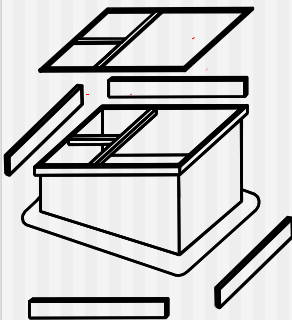
•Flat Curbs



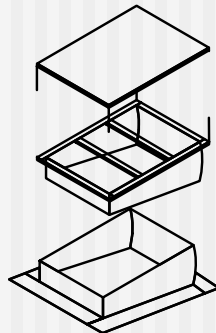
•Vented Curbs



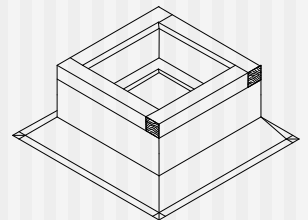
•Adapters



•Pitched Curbs

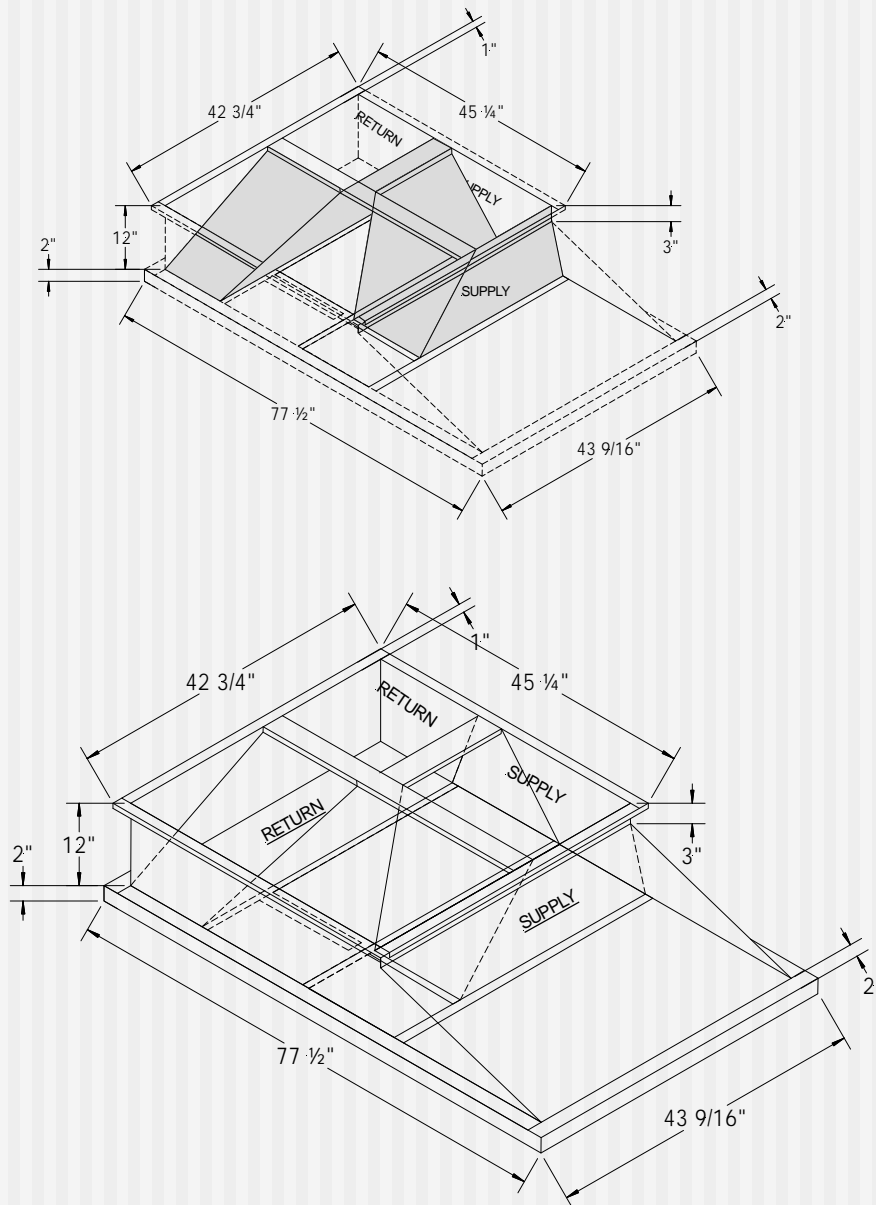


•Adjustables Curbs



•Fan Curbs

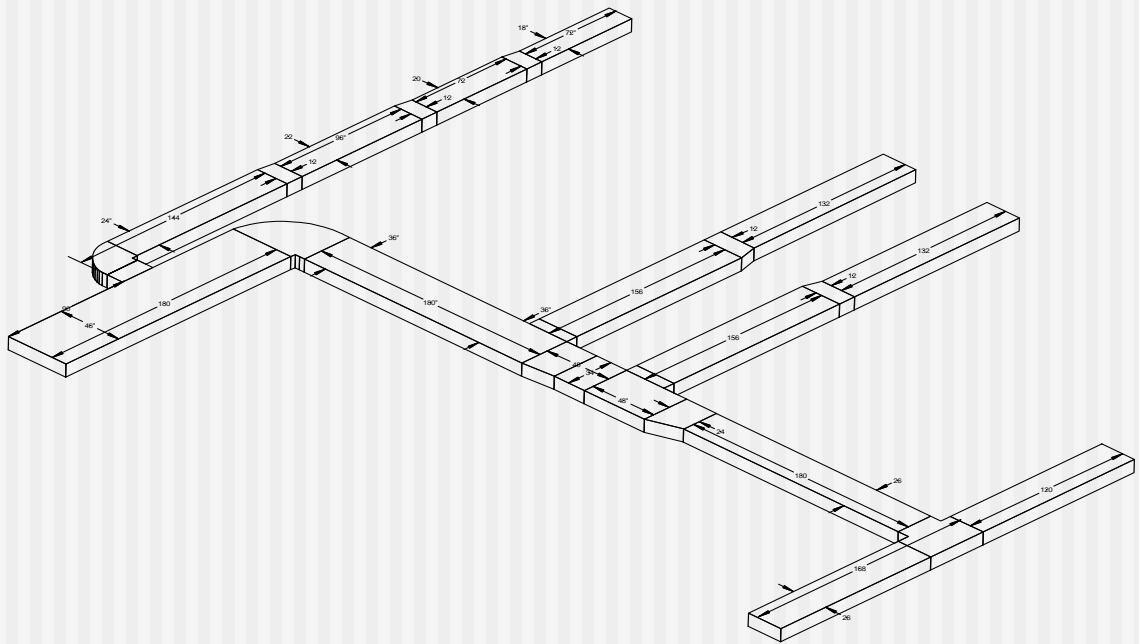
Curb adapters





Especial "T" HVAC Sheet Metal Fittings Inc.
Tel. 626.961.8710 Fax.626.961.8740

Duct Systems

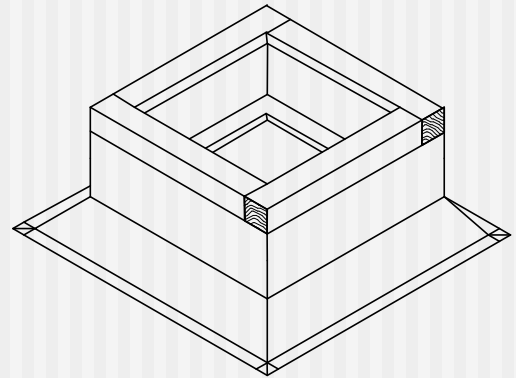




Especial "T" HVAC Sheet Metal Fittings Inc.
 Tel. 626.961.8710 Fax.626.961.8740

Fan curbs

OD. Dim.	8" tall List Price	12" tall List Price
16½	\$28.44	\$34.13
18½	\$31.93	\$38.32
22½	\$38.05	\$45.66
26½	\$45.88	\$55.06
28½	\$48.75	\$58.50
30½	\$51.31	\$61.57
34½	\$58.52	\$70.22
40½	\$67.90	\$81.48
46½	\$77.77	\$93.32
52½	\$87.67	\$105.20
58½	\$97.50	\$117.00



Standard:

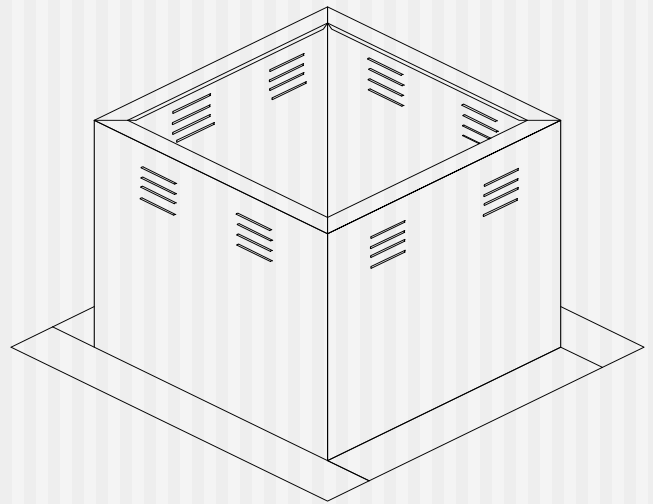
- Fully Welded Construction.
- 1 ½" Wood.
- !8Ga Prime Material.
- 1 ½" Liner.
- Union Label Product.



Especial "T" HVAC Sheet Metal Fittings Inc.
Tel. 626.961.8710 Fax.626.961.8740

Vented Curbs

OD. Dim.	24" tall List Price
18½	\$72.70
22½	\$86.66
28½	\$113.20
34½	\$151.12
40½	\$186.02
46½	\$214.31
52½	\$270.19



Standard:

- Fully Welded Construction.
- 18Ga Prime Material.
- Union Label Product.



Especial "T" HVAC Sheet Metal Fittings Inc.
 Tel. 626.961.8710 Fax.626.961.8740

PVC Material

Dim.	Spiral Coupling.	45 Deg Elbow Adj.	90 Deg Elbow Adj.	Saddle Taps	Sure Fit Reducer	T-wyes	Round End Cap
4	\$4.91	\$5.90	6.15	\$8.34	\$9.40	\$15.00	\$2.91
6	\$6.00	\$7.61	8.86	\$10.59	\$10.00	\$17.21	\$5.20
8	\$7.18	\$9.66	12.07	\$14.69	\$11.64	\$25.62	\$7.34
10	\$8.35	\$13.06	16.99	\$25.63	\$15.18	\$39.68	\$9.70
12	\$9.52	\$16.85	21.25	\$32.31	\$19.88	\$34.01	\$12.28
14	\$10.83	\$20.50	25.42	\$40.29	\$25.51	\$53.34	\$15.08
16	\$12.15	\$24.86	39.21	\$48.83	\$36.88	\$71.87	\$18.09
18	\$13.32	\$30.77	51.64	\$57.74	\$46.32	\$91.11	\$21.32
20	\$14.40	\$37.34	61.04	\$67.51	\$54.89	\$113.25	\$24.77
22	\$15.72	\$44.95	73.88	\$79.08	\$65.64	\$126.67	\$9.90
24	\$17.13	\$55.00	85.77	\$91.86	\$84.54	\$135.10	\$10.80
26	\$18.96	\$65.74	98.00	\$106.85	\$96.03	\$147.00	\$11.70

